

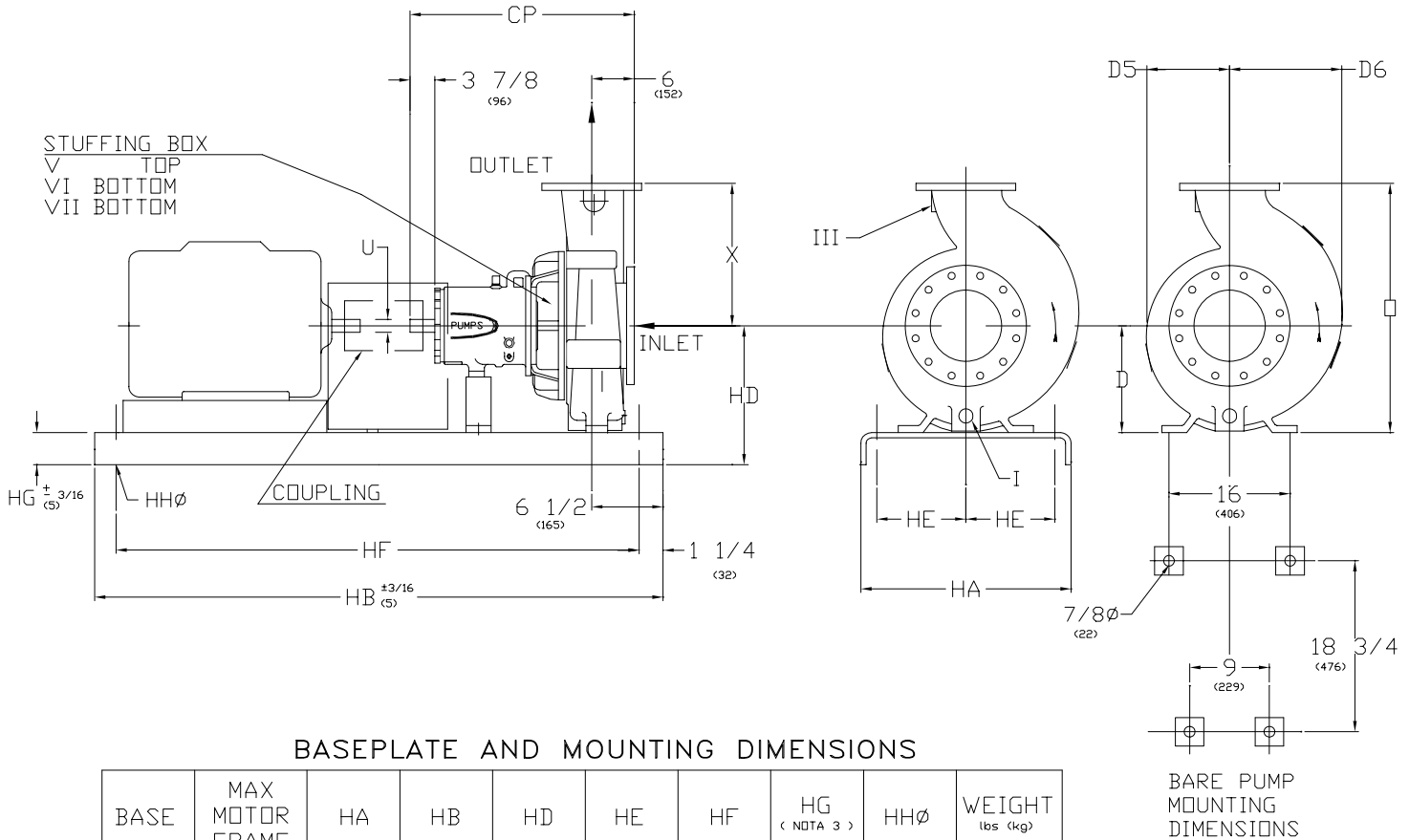
# FEOC



## ANSI/ASME 3L PROCESS PUMP

SUPPLEMENT DRAWINGS ATTACHED WHEN LISTED BELOW	AVAILABLE FLANGES (ANSI B16.5)		OPTIONAL TAP CONNECTIONS	
	CLASS 150 FF <input type="checkbox"/>	CLASS 150 RF <input type="checkbox"/>	TAP	REQ. SIZE
	CLASS 300 FF <input type="checkbox"/>	CLASS 300 RF <input type="checkbox"/>	I	CASING DRAIN
	SPECIAL <input type="checkbox"/>	<input type="checkbox"/>	II	SUCTION NOZZLE CONN.
			III	DISCHARGE NOZZLE CONN.
			IV	AUXILIARY CONN.
			V	STUFFING BOX
			VI	BACK DRILLED SEAL FLUSH CONN.
			VII	BOTTOM TAP IN STUFFING BOX
		BASEPLATE		
		STEEL <input type="checkbox"/>		
		SPECIAL <input type="checkbox"/>		

PUMP SIZE INLET X OUTLET - MAX. IMP. DIA.	PUMP WT LBS (KG)	CP	D	D5	D6	□	U		X
							SHAFT	KEYWAY	
3L 10 X 8 - 14	899 (408)	33 7/8 (860)	14 1/2 (368)	11 (279)	14 1/4 (362)	32 1/2 (826)	2 3/8 (60)	5/8 x 5/16 (16 x 8)	18 (457)



1. DIMENSIONS IN PARENTHESIS ( ) ARE IN MILLIMETERS

2. INSTALLATION DIMENSIONS ARE +- 1/8" (3) UNLESS OTHERWISE NOTED.

3. "HG" DIM. APPLIES TO THE LOWER PAD HEIGHT, WITH SOME BASES

THIS WILL OCCUR AT PUMP END AND OTHERS AT MOTOR END

CUSTOMER		CUSTOMER P.D.		CUSTOMER ITEM No.	
FEOC ORDER No.	SERIAL No.	CERTIFIED BY:	DATE		