

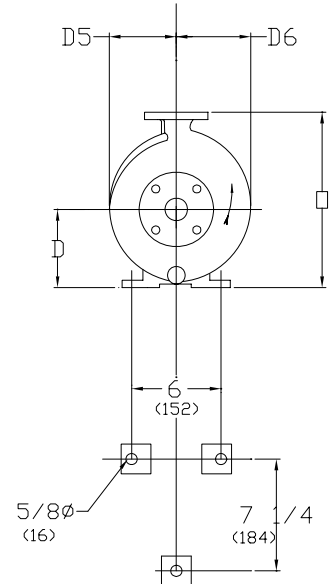
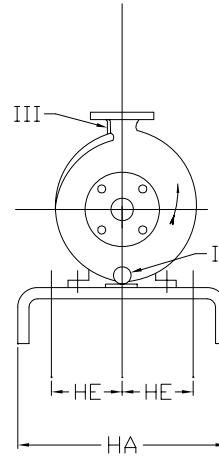
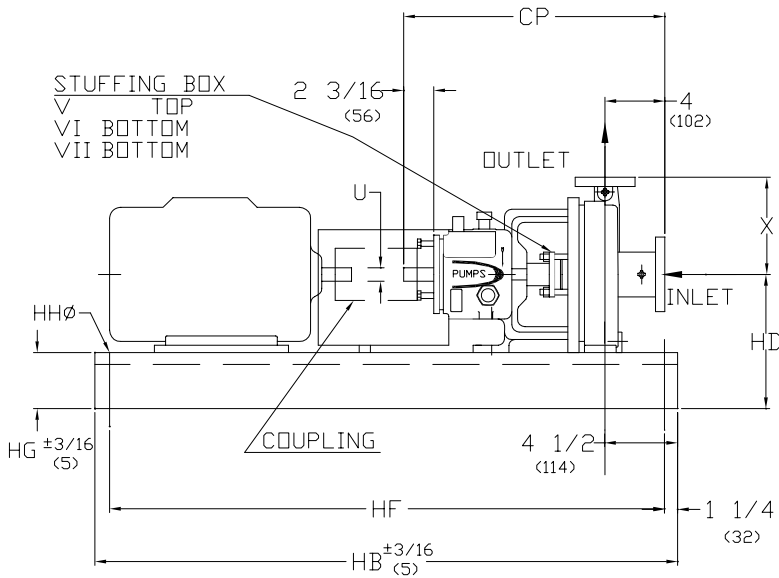
FEOC



ANSI/ASME 1L PROCESS PUMP

SUPPLEMENT DRAWINGS ATTACHED WHEN LISTED BELOW _____ _____ _____ _____	AVAILABLE FLANGES (ANSI B16.5)		OPTIONAL TAP CONNECTIONS		
	CLASS 150 FF <input type="checkbox"/>	CLASS 150 RF <input type="checkbox"/>	TAP I	CASING DRAIN	
	CLASS 300 FF <input type="checkbox"/>	CLASS 300 RF <input type="checkbox"/>	TAP II	SUCTION NOZZLE CONN.	
	SPECIAL _____		TAP III	DISCHARGE NOZZLE CONN.	
_____		BASEPLATE		TAP IV	AUXILIARY CONN.
_____		STEEL _____	TAP V	STUFFING BOX	
_____		SPECIAL _____	TAP VI	BACK DRILLED SEAL FLUSH CONN.	
_____		_____	TAP VII	BOTTOM TAP IN STUFFING BOX	

PUMP SIZE INLET X OUTLET - MAX IMP DIA.	PUMP WT LBS (KG)	CP	D	D5	D6	□	U		X
							SHAFT	KEYWAY	
1L 1 1/2 X 1 - 62	97 (44)	17 1/2 (445)	5 1/4 (133)	5 5/16 (135)	5 5/16 (135)	1 13/4 (298)	7/8 (22)	3/16 x 3/32 (4.8 x 2.4)	6 1/2 (165)



BASEPLATE AND MOUNTING DIMENSIONS

BASE	MAX MOTOR FRAME	HA	HB	HD	HE	HF	HG (NOTE 3)	HHØ	WEIGHT lbs (kg)
139	184T	15 (381)	39 (991)	9 (229)	4 1/2 (114)	36 1/2 (927)	3 3/4 (95)	3/4 (19)	111 (50)
148	215T	18 (457)	48 (1219)	9 1/2 (241)	6 (152)	45 1/2 (1156)	4 1/8 (105)	3/4 (19)	163 (74)
	256T			10 1/2 (267)					
153	286T	21 (533)	53 (1346)	11 7/8 (302)	7 1/2 (191)	50 1/2 (1283)	4 3/4 (121)	3/4 (19)	212 (96)
	326TS			12 7/8 (327)					

BARE PUMP MOUNTING DIMENSIONS

- DIMENSIONS IN PARENTHESIS () ARE IN MILLIMETERS
- INSTALLATION DIMENSIONS ARE +- 1/8" (3) UNLESS OTHERWISE NOTED
- "HG" DIM. APPLIES TO THE LOWER PAD HEIGHT, WITH SOME BASES THIS WILL OCCUR AT PUMP END AND OTHERS AT MOTOR END.

CUSTOMER		CUSTOMER P.D.		CUSTOMER ITEM No.	
FEOC ORDER No.		SERIAL No.		CERTIFIED BY:	
				DATE	